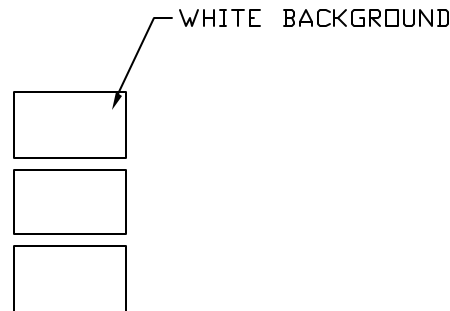
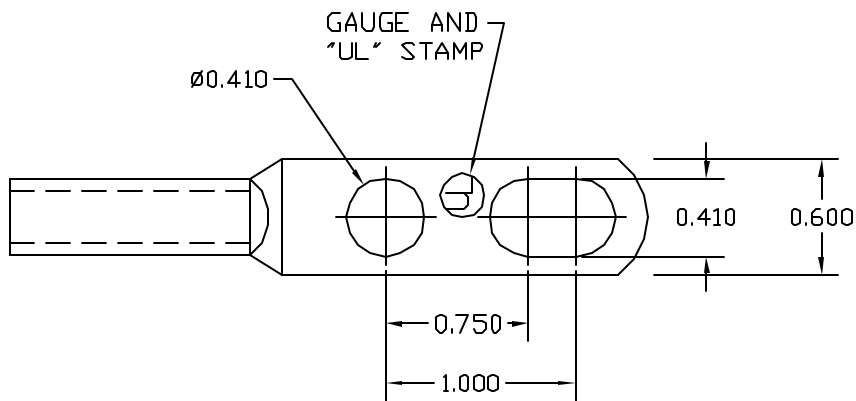
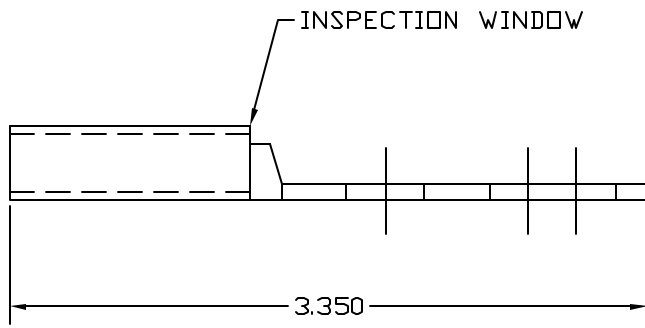


BARREL LABEL, TOP HALF



BARREL LABEL, BOTTOM HALF



<p>THIS DOCUMENT AND THE CONTENTS THEREOF IS THE PROPERTY OF HARGER INC., AND IS FURNISHED TO YOU FOR INFORMATION ONLY. THE INFORMATION CONTAINED HEREIN IS CONFIDENTIAL AND OF A PROPRIETARY NATURE AND MUST NOT BE DISCLOSED TO THIRD PARTIES WITHOUT THE EXPRESS WRITTEN APPROVAL OF HARGER INC.</p>					PART NO. GECLB22BCS		
	B	HOLE TOL WAS .02	100903	WSM	DRAWN BY:	<p>301 ZIEGLER DRIVE GRAYSLAKE, IL 60030 (847) 548-8700</p>	REVISION: B
	A	WAS 0.450	082702	LAL	LAL		SCALE: FULL
	LET	REVISION	DATE	BY	CHECKED BY:		SHEET: 1 OF 1
<p>TOLERANCES UNLESS NOTED:</p> <p>FRACTIONAL +/- 1/64</p> <p>.00 +/- .010</p> <p>.000 +/- .005</p>				DATE:			
				012102			